

Installation adapter Mini housing
Order No. : 5429 00

Operating instructions

1 Safety instructions

Electrical equipment may only be installed and fitted by electrically skilled persons.

Danger of electric shock. Only use the housing for eNet devices.

These instructions are an integral part of the product, and must remain with the end customer.

2 Device components

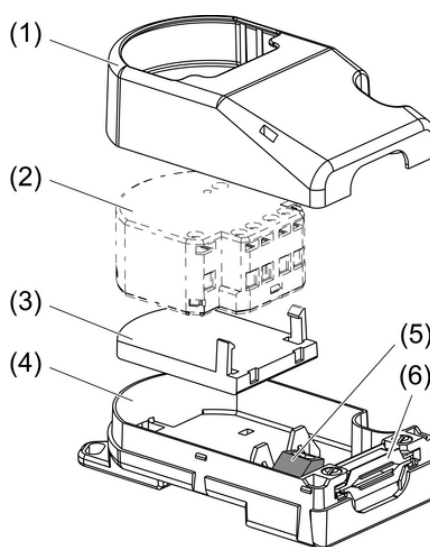


Figure 1: Components, panel-mounted housing

- (1) Housing lid
- (2) eNet mini device
- (3) Adapter for eNet universal transmitter and energy sensor
- (4) Housing base
- (5) Terminal for looping the protective conductor
- (6) Strain relief

3 Function

Intended use

- Panel-mounted housing for eNet mini actuators and sensors
- Installation in false ceilings and surface mounting

Product characteristics

- Fastening possible on DIN rail according to DIN EN 60715

4 Information for electrically skilled persons

4.1 Fitting and electrical connection



DANGER!

Electrical shock when live parts are touched.

Electrical shocks can be fatal.

Before working on the device, disconnect the power supply and cover up live parts in the working environment.

Mounting a panel-mounted housing

eNet actuator or sensor is connected correctly.

- Engage the adapter (3) on the eNet universal transmitter or energy sensor.
- Insert the eNet device into the housing base (4) in such a way that the device can be operated through the housing lid.

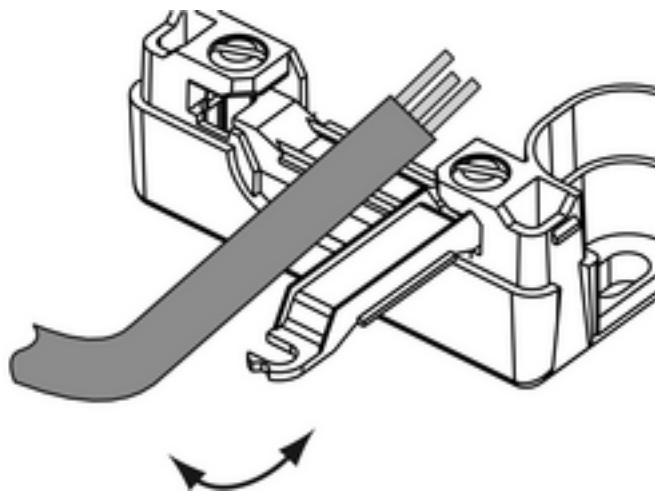


Figure 2: Strain relief

- Ensure strain relief (Figure 2).
To ensure secure strain relief, use a maximum of two cables of the same diameter.
Recommended cable for effective strain relief: H05VV-F 3G 1.5.
- Place the housing lid on the housing base and push them together.

Open the housing

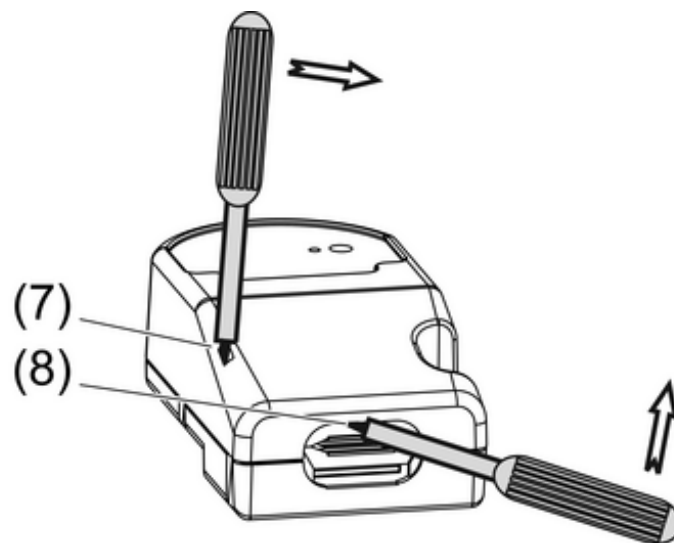


Figure 3: Open the housing

- Insert a screwdriver into the opening (7) and lever the housing lid outwards slightly (Figure 3).
 - Then push the screwdriver between the strain relief and the housing cover (8) and lever it upwards.
- i** An engaged adapter (3) can be levered off with a screwdriver. To do this, apply the screwdriver in the area of the lock.

5 Appendix

5.1 Technical data

Dimensions W×H×D

97×53×36 mm

5.2 Warranty

The warranty is provided in accordance with statutory requirements via the specialist trade.

Please submit or send faulty devices postage paid together with an error description to your responsible salesperson (specialist trade/installation company/electrical specialist trade). They will forward the devices to the Gira Service Center.

Gira
Giersiepen GmbH & Co. KG
Elektro-Installations-
Systeme

Industriegebiet Mermbach
Dahlienstraße
42477 Radevormwald

Postfach 12 20
42461 Radevormwald

Deutschland

Tel +49(0)21 95 - 602-0
Fax +49(0)21 95 - 602-191

www.gira.de
info@gira.de