

Operating instructions

Blind timer and timer BT arrow symbols
Order no. 5367 ..

Blind timer and timer BT
Order no. 5381 ..

Operating top unit BT arrow symbols
Order no. 5382 ..

Operating top unit BT
Order no. 5368 ..

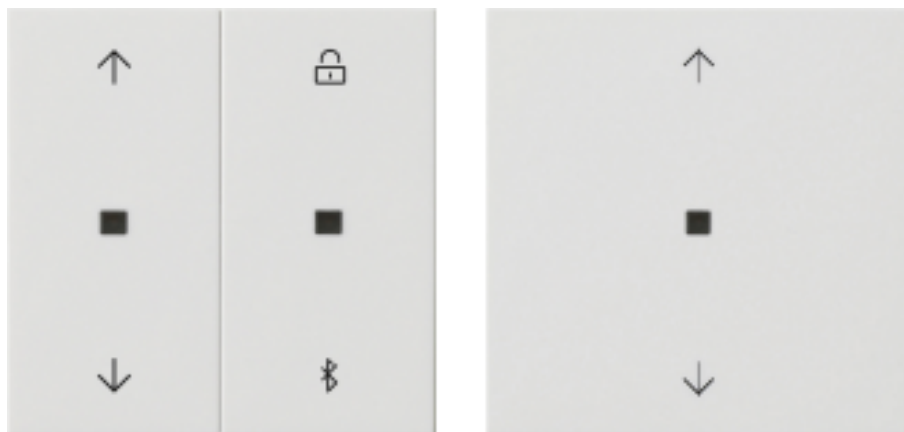


Table of contents

1	Safety instructions	3
2	Device components	3
3	Intended use	4
4	Product characteristics	5
5	Commissioning	6
6	Operation of Venetian blind and shutters	7
7	Operation of lighting	8
8	Activate functions	9
9	Information for electrically skilled persons	10
10	Technical data	11
11	Parameter list	11
12	Conformity	16
13	Warranty	16

1 Safety instructions



Electrical devices may be mounted and connected only by electrically skilled persons.

Serious injuries, fire or property damage are possible. Please read and follow the manual fully.

Danger of electric shock. Always disconnect before carrying out work on the device or load. In so doing, take all the circuit breakers into account, which support dangerous voltages to the device and or load.

These instructions are an integral part of the product, and must remain with the end customer.

2 Device components

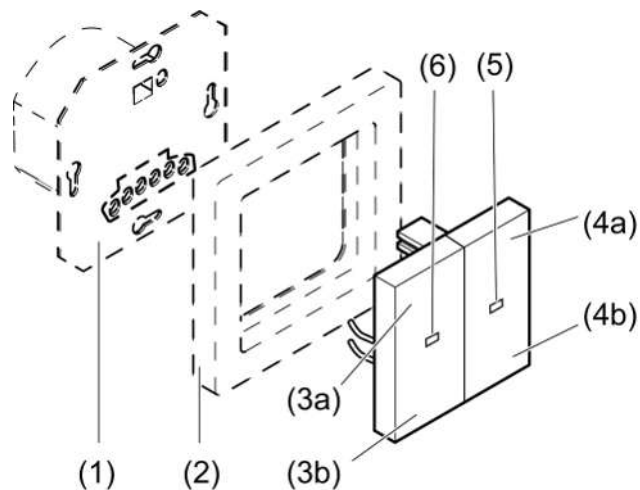


Figure 1: 2-gang cover

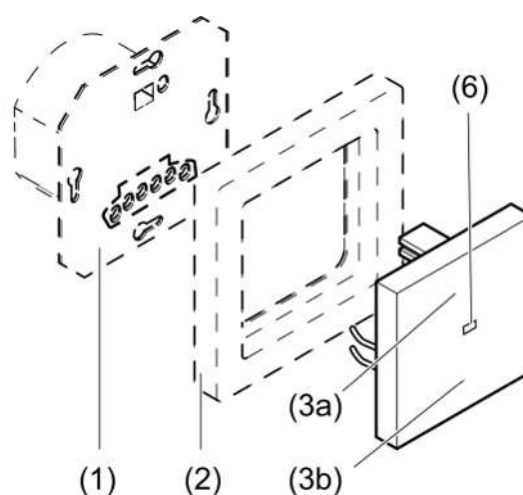


Figure 2: 1-gang cover

- (1) Insert
- (2) Cover frame
- (3a) Blind/shutter up / light on, brighter
- (3b) Blind/shutter down / light off, darker
- (4a) Disabling function
- (4b) Activate Bluetooth coupling,
Activating / deactivating automatic
operation
- (5) Function LED
- (6) Status LED

LED display

Green	Blind/shutter activated / light switched on
Red	Disabling function active
Red, triple flashing	Cover was previously connected to another insert
Orange	Automatic operation deactivated (only 2-gang cover)
Blue	Bluetooth connection active
Blue flashing	Bluetooth coupling mode active
Quick blue flashing	Device update is being performed
Blue, triple flashing	Time is not set

Priorities for the LED display:

- Red LED before green or orange LED
- Blue LED before red LED

3 Intended use

- Manual and time-controlled operation of e.g. Venetian blinds, shutters, awnings, lighting or fans
- Operation and programming with mobile end device (smartphone or tablet) via Bluetooth with app
- Operation of switching, dimming or Venetian blind insert, 3-wire extension or DALI Power control unit of System 3000

Default setting

- Switching times on a Venetian blind insert:
 - ↑ 07:00, Mo - Thu
 - ↓ 21:00, Mo - Thu
 - ↑ 07:00, Fr
 - ↓ 21:30, Fr
 - ↑ 09:00, Sat
 - ↓ 21:30, Sat
 - ↑ 09:00, Sun
 - ↓ 21:00, Sun
- Astro function is deactivated

- Automatic summer/winter time changeover is active
- i** No switching times are available when operating on a switching/dimming insert.

Behaviour after a mains voltage failure

Voltage failure less than power reserve

- All data and settings are preserved
- Missed switching times are not performed later

Voltage failure greater than power reserve

- The blue LED flashes three times repeatedly until the time is automatically updated when connected with the app
- No switching operations are executed
- Switching times are preserved

4 Product characteristics

Functions directly on the cover

- Operation of blinds/shutters and lighting
- Evaluation of 2-wire or 3-wire extension, rotary extension, Bluetooth wall transmitter or push-button
- Activating/deactivating the disabling function (only 2-gang cover)
- Activating / deactivating automatic operation (only 2-gang cover)
- Running time and ventilation position of the blind/shutter can be saved
- Switch-on brightness or switch on to last brightness with dimming insert can be saved
- Activating/deactivating night mode (only 2-gang cover)

Functions via app

- Operation of blinds/shutters and lighting with status feedback
- Indication of current blind/shutter position, dimming position or switching state
- Programming of up to 40 individual switching times
- Venetian blind and slat positions or switching and dimming values can be saved at any switching time
- Possible to copy switching times from other devices
- Switching at sunrise and/or before sunset (Astro function)
- Astro time through position fixing
- Astro time shift can be set for each switching time
- Automatic summer/winter time changeover, can be switched off
- Call function enables a person to attract attention if required

- Random function allows switching times to be randomly executed in a time period of +/- 15 min.
- Disabling function
- Night mode
- Automatic date and time update when connecting with smartphone
- Code request for protection for time programs and configuration possible
- Save a ventilation position, blind/shutter running time, slat change-over time and change-over time for direction change
- Switch to inverse operation for Venetian blind inserts possible
- Maximum brightness and minimum brightness for dimming insert can be set
- Sun protection and twilight functions are possible via optional brightness sensor

5 Commissioning

Install app on a mobile end device

Requirement for operation via app is a mobile end device with Bluetooth interface, running the Android operating system or iOS.

- Download and install the Gira System 3000 app from the iTunes App Store (iOS) or the Google Play Store (Android).

Couple mobile end devices via Bluetooth

Precondition: The insert must be connected and switched off. The cover is placed on the insert and the mobile end device is close to the cover.

- **Activate coupling mode:**
2-gang cover: Press the button (4b) for longer than 4 seconds.
1-gang cover: With the load switched off, press the buttons (3a) and (3b) for longer than 4 seconds.

The blue LED flashes slowly. The coupling mode is active for one minute.

- Start the Gira **System 3000 app** and search for device to be coupled.

The "**Gira Timer**" cover is displayed in the app.

- Perform coupling.

The coupling mode is automatically exited after successful coupling. The blue LED lights up to confirm an active connection.

i A maximum of 8 mobile end devices can be coupled with a cover. When coupling the 9th device, the least used device will be deleted.

i To be able to perform position movements of the blind/shutter on a Venetian blind insert, a reference movement is performed in the upper end position after the programming. This reference movement should not be stopped.

6 Operation of Venetian blind and shutters

All settings and operations are also possible via app.

Moving the blind/shutter

- Press button (3a) or (3b) for longer than one second.
The blind/shutter moves in the desired direction to the end position or stops when the button is pressed again.
- i** If a ventilation position has been saved, the blind stops in the ventilation position when moving down (see Saving the ventilation position).
- i** When executing via a Bluetooth wall transmitter, the blind/shutter is activated as long as pressure is applied to the button.

Adjusting the slats

- Press the button (3a) or (3b) for less than one second.

Saving blind/shutter running time

To perform positioning movements, the blind/shutter running time has to be saved beforehand.

To save blind/shutter running time, the Venetian blind must be moved to the upper end position and the status LED (6) switch off automatically.

- From the top end position, press the button (3b) for longer than second.
The blind/shutter moves in the lower end position direction.
- Press and hold down the buttons (3a) and (3b).
The blind/shutter remains stopped, but continues to move after 4 seconds.
- As soon as the blind/shutter has reached the lower end position, release the buttons and press button (3b) within the next 4 seconds.
The running time is saved. The blind/shutter moves back to the upper end position.

Saving the ventilation position

To save the ventilation position, the Venetian blind must be moved to the upper end position and the status LED (6) switch off automatically.

- From the top end position, press the button (3b) for longer than second.
The blind/shutter moves in the lower end position direction.
- Press and hold down the buttons (3a) and (3b).
The blind/shutter remains stopped, but continues to move after 4 seconds.

- As soon as the desired ventilation position has been reached, release the buttons and press the button (3a) within the next 4 seconds.

The ventilation position is saved. The blind/shutter moves back to the upper end position.

- i** If the ventilation position is saved again, the old value is overwritten.

7 Operation of lighting

All settings and operations are also possible via app.

Switching the light

- Press button (3a) or (3b) for less than 0.4 seconds.

- i** With a dimming insert, the light switches to the brightness that was last set or a saved brightness.

Switch light on with minimum brightness

- Press the button (3b) for longer than 0.4 seconds.

Adjusting the brightness

- Press button (3a) or (3b) for longer than 0.4 seconds.

Setting the colour temperature

- i** Only with DALI Power control unit.

- In the switched-on state, press button (3a) or (3b) twice at the top or bottom within 0.4 seconds (double-click). The light switches off and on again.

The device is in colour temperature mode.

- Long press button (3a) or (3b) to change the colour temperature.

- i** After a further double click, the device switches back to normal operation and signals this with a short switching off and on again. After one minute without operation, the device also returns to normal operation.

Saving the switch-on brightness / colour temperature

- Adjusting the brightness
- Set colour temperature (only DALI Power control unit)
- Press the buttons (3a) and (3b) for longer than 4 seconds.

Switch-on brightness / colour temperature is saved. For confirmation, the light is switched off briefly and switched on again.

Deleting the switch-on brightness / colour temperature

- Press button (3) briefly: Light switches on with the saved switch-on brightness and colour temperature.
- Without changing the brightness, press buttons (3a) and (3b) for longer than 4 seconds.

The switch-on brightness has been deleted.

Switching on takes place at the last brightness / colour temperature value set. For confirmation, the light is switched off briefly and switched on again.

8 Activate functions

Activating / deactivating automatic operation (only 2-gang cover)

- Press button (4b) briefly.
The automatic mode is activated / deactivated.

When automatic operation is deactivated, the function LED (5) turns orange. Saved travelling times are not executed.

Activating/deactivating the disabling function (only 2-gang cover)

The disabling function disables extension operation and operation via the app and deactivates automatic operation. Manual operation using buttons (3a) and (3b) continues to be possible.

- i** With Venetian blinds, extension operation in the "UP" direction (wind alarm) continuous to be possible.
- Press the button (4a) for longer than 4 seconds.
The disabling function is activated or deactivated.
The function LED (5) turns red if the disabling function is active.
- i** The disabling function can also be set with the app (parameter list). With the 1-gang cover, the status LED (6) is illuminated when the disabling function is active.

Activating/deactivating night mode (only 2-gang cover)

In night mode, the status and function LEDs are not permanently lit, but only for 5 seconds after a button is pressed.

- Press the buttons (4a) and (4b) for longer than 4 seconds.
Night mode is activated: The function LED turns red for 3 seconds.
Night mode is deactivated: The function LED turns green for 3 seconds.

- i** With the 1-gang and 2-gang covers, the night mode can be set with the app (parameter list).

Call function

The function enables a person to attract attention if required. A call can be triggered via a 2-wire extension, Bluetooth wall transmitter or push-button.

Precondition: The call function has been activated via the app.

- Press the button of the extension.
Light flashes (1 second on, 1 second off) until the call is acknowledged by actuating any button on the device.

Resetting the device to the factory setting

- Press the buttons (3a) and (3b) during the first 2 minutes after switching on the mains voltage for longer than 20 seconds until the red status LED flashes quickly.
- Release buttons (3a) and (3b) and press briefly once again within 10 seconds. The red status LED flashes more slowly for approx. 5 seconds.

The device is reset to default setting (default setting). The blue LED flashes three times to indicate that the time is not set.

On a Venetian blind insert, a reference run to the upper end position is performed.

- i** After resetting the device to the default setting, it has to be removed from the app.
On iOS equipment, the device also has to be removed manually from the list of paired Bluetooth devices (Settings/Bluetooth). Otherwise, re-pairing will not be possible.

9 Information for electrically skilled persons



DANGER!

Mortal danger of electric shock

Disconnect the device. Cover up live parts.

Mounting the device


Switching, dimming or Venetian blind insert or 3-wire extension are mounted and connected properly (see instructions of the relevant inserts).

- Fit the cover with frame on the insert.
- Switch on mains voltage.

If the status LED (6) flashes red three times at repeated intervals, the cover was previously connected to another insert. To enable operation again, either place the cover onto the correct insert or press the buttons (3a) and (3b) for longer than 4 seconds.

10 Technical data

Ambient temperature	-5 ... +45°C
Storage/transport temperature	-20 ... +70°C
Accuracy per month	± 10 s
The time is updated with every connection to the app	
Power reserve	approx. 4 h
Radio frequency	2.402 ... 2.480 GHz
Transmission capacity	max. 2.5 mW, Class 2
Transmission range	Typ. 10 m
Data according to EN 60730-1	
Type of action	1.B.S.T
Degree of soiling	2
Measured surge voltage	4000 V

 This device includes an integrated battery. At the end of its useful life, dispose of the device together with the battery in accordance with the environmental regulations. Do not throw device into household waste. Consult your local authorities about environmentally friendly disposal. According to statutory provisions, the end consumer is obligated to return the device.

11 Parameter list

Adjustable parameters via app

Depending on the insert, the following parameters can be changed with the app.

Settings for switching/dimming and Venetian blind inserts

Parameters	Setting options, Default setting	Explanations
Shifting the sunrise time	+/- 0 ... 120 minutes Default setting: 0 minutes	Astro times represent the sunrise and sunset times in the course of a calendar year. If you want the switching to be executed in the early morning at the start of twilight or only at full brightness, this can be realised with this shift.
Shifting the sunset time	+/- 0 ... 120 minutes Default setting: 0 minutes	Astro times represent the sunrise and sunset times in the course of a calendar year. If you want the switching to be executed in the evening at the start of twilight or only at full darkness, this can be realised with this shift.

Parameters	Setting options, Default setting	Explanations
Set the location	Determination of the current position via the GPS function of the mobile end device.	To adapt the Astro times to the geographical location, the GPS function of the mobile end device must be activated. The Astro time is calculated once a week for the localised place.
Time change	On, Off Default setting: On	Activates automatic summer/wintertime changeover.
Night mode	On, Off Default setting: Off	In night mode, the status LED is not permanently lit, but only for 5 seconds after a button is pressed.
Disabling function	On, Off Default setting: Off	The disabling function disables extension operation and operation via the app and deactivates automatic operation. Manual operation using buttons (3a) and (3b) continues to be possible.
EnOcean switch	MAC address Name Single rocker Left rocker Right rocker	The Bluetooth wall transmitter must be connected to the device in order to be able to operate it. Enter the MAC address of the Bluetooth wall transmitter here, select the device button to be used for operation and assign a name. Up to 8 Bluetooth wall transmitters can be connected to the device.

Settings for all switch and dimming inserts

Parameters	Setting options, Default setting	Explanations
Activate call function	On, Off Default setting: Off	The function enables a person to attract attention if required. If the function is activated, a call can be triggered via a 2-wire extension, Bluetooth wall transmitter or push-button. If a call has been triggered, the lighting flashes (1 second on, 1 second off) until the call is acknowledged by actuating any button on the device. A triggered call overrides all functions of the device. The functions continue running in the background so that the device switches to the respective current state after acknowledgement.

Settings only for dimming inserts, DALI Power control unit

Parameters	Setting options, Default setting	Explanations
Switch-on brightness	1 ...100 % Default setting: 100%	During brief operation, the output switches on at the set switch-on brightness. Note: If the value is above the set maximum brightness or below the minimum brightness, then the system will switch to the appropriate limit value.
Maximum dimming value	75 ...100 % Default setting: 100%	Specifies the maximum settable brightness.
Minimum dimming value	1 ... 67 % Default setting: 5%	Specifies the minimum settable brightness.
Colour temperature Only for DALI Power control unit	Minimum colour temperature 2000 ... 4500 K Maximum colour temperature 5000 ... 10000 K Switch-on colour temperature 2000 ... 10000 K Factory setting: Minimum colour temperature 2000 K, maximum colour temperature 6000 K, switch-on colour temperature 2700 K	Minimum colour temperature: Defines the minimum colour temperature that can be set. Maximum colour temperature: Defines the maximum colour temperature that can be set. Switch-on colour temperature: The light is switched on with a saved colour temperature.

Settings only for switch inserts

Parameters	Setting options, Default setting	Explanations
Switch-off pre-warning	On, Off Default setting: Off	If the switch-off warning is active, the light is not switched off directly. The light goes off 30, 20 and 10 seconds before permanent switch-off.

Settings only for 2-channel switch inserts

Parameters	Setting options, Default setting	Explanations
Activating switch-on delay for output 2	On, Off Default setting: On	Switches the switch-on delay for output 2 on and off. If the parameter is switched off, output 2 switches on simultaneously with output 1.
Switch-on delay output 2	0 s ... 60 min Default setting: 2 min	After switching on output 1, output 2 also switches on after the time set here has elapsed.
Switch-off delay for output 2	0 s ... 60 min Default setting: 5 min	After switching off output 1, output 2 also switches off after the time set here has elapsed.

Settings only for venetian blind inserts

Parameters	Setting options, Default setting	Explanations
Operating mode	Roller shutter Venetian blind Awning Default setting: Roller shutter	Roller shutter A rolling shutter or an awning is controlled for which the Fabric stretching function is required. Venetian blind A Venetian blind is controlled. Awning An awning is controlled for which the Fabric stretching function is required.
Travelling time	1 ... 360 s Default setting: 120 s	Absolute time which the blind/shutter requires from the top to the bottom end position. The entry is essential if position movements are to occur.
Slat adjusting time	0 ... 10 s Default setting: 0 s	Absolute time for changing-over Venetian blind slats. Here, the fabric-stretching time can be set for the operation of awnings.
Inverse operation	On, Off Default setting: Off	Inverts the activation of the relay outputs. During inverted operation, the relay outputs "Up" and "Down" should be activated in reverse. This is required, for example, for controlling skylights.
Blind/shutter height ventilation position	0 ... 100 % Default setting: 100%	The blind/shutter stops in this position when shutting down. This parameter is only visible in the shutter operating mode.

Parameters	Setting options, Default setting	Explanations
Slat position ventilation position	0 ... 100 % Default setting: 100%	Ventilation position in the "Venetian blind" operating mode: The blind/shutter moves to the lower end position and the slats tilt to the value set here.

Settings with optional brightness temperature sensor

Parameters	Setting options, Default setting	Explanations
Teach brightness sensor	Input MAC address.	After entering the MAC address, the received brightness for the controller is used by brightness-dependent switching operations.
Brightness evaluation	On, Off Default setting: Off	If brightness evaluation is switched on and the brightness threshold value is exceeded for more than 2 minutes, sun protection is carried out. If the brightness falls below the set brightness threshold value for longer than 15 minutes, sun protection is deactivated.
Brightness threshold	4,000 ... 80,000 lux Default setting: 20,000 lux	Brightness threshold to carry out sun protection
Sun protection action active	Depending on the insert used Switching, dimming or moving the blind/shutter	The set value is called up when the brightness threshold value is exceeded. E.g. for Venetian blind inserts, the set sun protection position is approached.
Sun protection action inactive	Depending on the insert used Switching, dimming or moving the blind/shutter	The set value is called up when the brightness threshold value is not reached. E.g. the movement to the upper end position (0 %) can be set for Venetian blind inserts.
Temperature evaluation	On, Off Default setting: Off	If temperature evaluation is activated, before implementing the sun protection, the preset temperature threshold is checked to see if it was exceeded. If this is not the case, the sun protection is implemented only when the temperature exceeds.
Temperature threshold value	5 ... 50 °C, Off Default setting: Off	Temperature threshold for temperature-dependent sun protection

Parameters	Setting options, Default setting	Explanations
Dawn	On, Off Default setting: Off	When dawn is switched on, the stored action is carried out when it exceeds the twilight value. Depending on the insert, light is switched or blinds are moved to a stored position and slats are tilted.
Dusk	On, Off Default setting: Off	When dusk is switched on, the stored action is carried out when it falls below the twilight value. Depending on the insert, light is switched or blinds are moved to a stored position and slats are tilted.
Twilight threshold value	5 ... 4,000 lux Default setting: 10 lux	If a set twilight threshold value is exceeded for more than 4 minutes, twilight is activated. If the brightness rises over the preset twilight value for longer than 4 minutes, the twilight function is deactivated. Note: A brightness /temperature sensor is necessary for this function.
Action at dawn	Depending on the insert used Switching, dimming or moving the blind/shutter	The set value is called up when the twilight threshold value is exceeded. E.g. the movement to the upper end position (0 %) can be set for Venetian blind inserts.
Action at dusk	Depending on the insert used Switching, dimming or moving the blind/shutter	The set value is called up when the twilight threshold value is not reached. E.g. the movement to the lower end position (100 %) can be set for Venetian blind inserts.

12 Conformity

Gira Giersiepen GmbH & Co. KG hereby declares that the radio system type, art. no. 5367 .., 5368 .., 5381 .. and 5382 .. complies with Directive 2014/53/EU. You can find the full article number on the device. The complete text of the EU Declaration of Conformity is available under the Internet address:
www.gira.de/konformitaet

13 Warranty

The warranty is provided by the specialist trade in accordance with statutory requirements. Please submit or send faulty devices postage paid together with a fault description to your responsible salesperson (specialist trade / installation company / electrical specialist trade). They will forward the devices to the Gira Service Center.

Gira
Giersiepen GmbH & Co. KG

Elektro-Installations-
Systeme

Industriegebiet Mermbach
Dahlienstraße
42477 Radevormwald

Postfach 12 20
42461 Radevormwald

Deutschland

Tel +49(0)21 95 - 602-0
Fax +49(0)21 95 - 602-191

www.gira.de
info@gira.de