



**GIRA**

**General safety instructions**

This product contains a battery. Do not swallow batteries. Risk of burns from hazardous materials. Immediately seek medical attention if batteries have been swallowed or inserted into any part of the body. Keep new and used batteries away from children. These instructions are part of the product and must remain with the end customer.

**Observe the commissioning order**

Commissioning order for the security system Alarm Connect:

1. Mount the alarm control unit and put it into commission (battery and 230 V connection).
2. Configure the project in the GPA and transfer it to the alarm control unit memory.
3. Install all other devices, put into commission (insert batteries, etc.) and check the wireless connection to the alarm control unit.
4. After successful verification, set the alarm control unit to operation mode. Failure to observe the commissioning sequence will render commissioning of the safety system unsuccessful.

**Product features**

The PIR (passive infrared) sensor in the wireless motion detector receives the heat radiation emitted by a body and wirelessly monitors indoor areas. If motion is detected, the wireless motion detector transmits a signal to the alarm control panel Connect.

**Product properties**

- Temperature-dependent motion detection.
- Integrated tamper protection.
- For indoor use only.
- Animal immunity for small animals up to 10 kg.

**Sticker with Hardware ID**

The device comes with two stickers with the Hardware ID. You can use one of the two stickers for your site map and simply scan the Hardware ID with an appropriate scanner during configuration in GPA.

**Included in delivery**

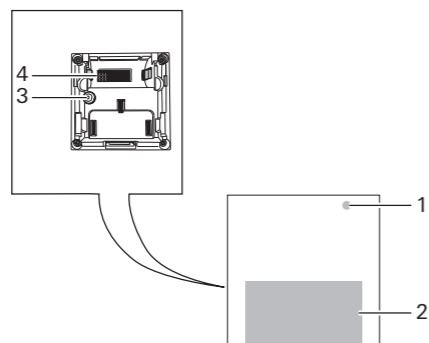
- 1 x wireless motion detector
- 1 x Battery
- 1x set of mounting hardware
- 1 x operating instructions
- 2x stickers with Hardware ID

Ensure the package contents are complete and undamaged. Please see "Warranty" in case of any defects.

**Required accessories**

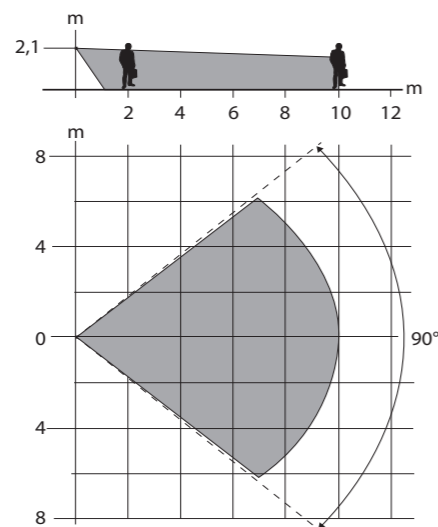
- Alarm control unit Connect (item no. 5201 00)
- Wireless operating unit (item no. 5212 16)

**Device description**



- Front**
- 1 Status LED (behind cover)
  - 2 Motion detector (behind cover)
- Rear**
- 3 Tamper contact (sabotage contact)
  - 4 Battery compartment

**Monitored area**

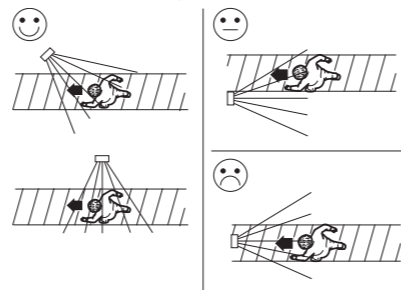


**Selecting the installation site**

**Notes about the installation site**

Note the following:

- Recommended installation height: 2.1 m
- Mount lateral to the direction of movement of a potential intruder.



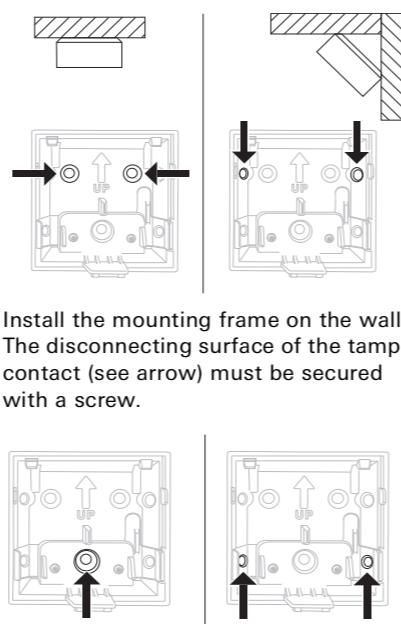
- Preferably select a corner for mounting in the room to be monitored.
- Do not point directly at windows, heaters, sunlight, open fireplaces, or moving heat sources.
- Do not mount next to curtains, this may trigger a false alarm due to air movement.
- Do not block the line of sight of the wireless motion detector with furniture.
- Consider movement of pets (e.g. a cat door).

**Animal immunity and cats in the home**

Due to the behavioural patterns of cats (e.g. jumping onto a table), an alarm could be triggered even if animal immunity is activated.

**Mounting the wireless motion detector**

1. Mark the drilling holes, drill and insert wall plugs. Depending on the type of installation, different mounting holes are available (see the following figure).



2. Install the mounting frame on the wall. The disconnecting surface of the tamper contact (see arrow) must be secured with a screw.

**Commissioning the wireless motion detector**

**Conditions for device commissioning**

The project must first be successfully commissioned in GPA (see "Commissioning order").

**Gira Project Assistant (GPA)**

The security system Alarm Connect is configured in GPA. The following settings are established for the wireless motion detector in GPA:

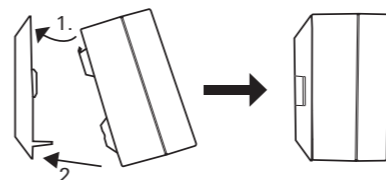
- Locate device.
- Assign hardware ID.
- Enter device name.
- Select alarm setting [internally armed] or [internally and externally armed].
- Activate animal immunity, if required.
- Put the project into commission.

1. Parameterise the wireless motion detector in GPA and put the project into commission.
2. Insert battery (**observe polarity!**) and wait for initialisation phase. The wireless motion detector is automatically detected by the alarm control unit Connect.

**Batteries inserted too early**

If the units have been activated before start-up, they are in "sleep mode" and can no longer connect to the alarm centre. In this case, the batteries must be removed and reinserted.

3. Attach the wireless motion detector to the mounting plate.



**Status LED**

Behaviour	Meaning
Lights up continuously red	Tamper alarm
Alternates quickly between green and red	Initialisation phase
Blinks red, quickly and for a max. of 10 s	Error initialisation phase
Blinks green, quickly and for a max. of 5 s	Registration phase
Lights up green for approx. 3 s, then turns off	Registration successful
Blinks red in short intervals for a max. of 10 s	Registration error
Blinks green, quickly every 2 s and in cases of a status change, 1x quick red flash	Test run

**Stand-by mode**

After commissioning of the device, communication must take place between the device and the alarm control unit Connect within 7 min. After 7 min the device automatically switches to stand-by mode. If the

device does not receive a signal from the alarm control unit Connect within the 7 min period, the stand-by mode can not be ended automatically. The device must then be reactivated (remove and replace the battery) so that communication can be established with the alarm control unit Connect. Always observe the commissioning order.

**Check the signal quality of the wireless connection**

**Check the wireless connection to the alarm control unit**

Check the signal quality of the wireless connection between the alarm control unit Connect and the device.

1. Activate the test mode in the GPA under [security system] -> [Diagnosis and test].
2. Trigger wireless motion detector (walk test).
3. Check the signal quality. **Bad signal quality:** Insert a wireless repeater and check the signal quality again. **Good signal quality:** End test mode.

**Replacing the battery**



**WARNING**

**Explosion hazard in case of improper handling of batteries.**

Do not throw batteries into the fire, and do not recharge batteries, as this may result in a risk of explosion.



**WARNING**

**Danger of acid burns from bursting or leaking batteries.**

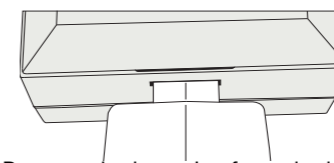
Always change an empty battery for a new one of the same type.



**Replacing the battery**

Replace the battery as soon as the "low battery" display appears in the Display of the wireless operating unit.

1. Detach the wireless motion detector from the mounting plate using the unlocking tool (included with the wireless alarm control unit Connect). The tamper alarm is triggered.



2. Remove the batteries from the battery compartment and replace the battery with a new one of the same type (see technical data). **Observe polarity!**
3. Reattach the wireless motion detector to the mounting plate.
4. Acknowledge the tamper alarm on the wireless operating unit.



Remove empty batteries immediately and dispose of them in an environmentally-friendly way. Do not dispose of batteries with household waste. Local authorities provide information about environmentally-sound disposal. The end consumer is legally required to return used batteries in accordance with legislative requirements.

**Technical data**

Monitored area:	2 to 10 m
Power supply:	Type C: Internal battery
<b>Battery</b>	
Type:	Lithium, CR 123A
Capacity:	1.4 Ah
Voltage:	DC 3 V
Quantity:	1
Battery life:	approx. 5 years
<b>Wireless</b>	
Frequency band:	868.0 - 868.6 MHz 868.7 - 869.2 MHz
Transmission capacity:	max. 10 mW
Range:	100 m (free field)
<b>Device – general</b>	
Optical display:	Status LED (red/green)
Ambient temperature:	-10°C to +55°C
Storage temperature:	-35°C to +60°C
Humidity:	93 %
Environmental class:	II
Compliant with:	EN 50131 Level 2 EN 60950-1 EN 301489-1 EN 301489-3 EN 61000-6-3 EN 50130-4 EN 300220-1 EN 300220-2 EN 50130-5 EN 50131-1 EN 50131-2-2 EN 50131-6 EN 50131-5-3
Certification body:	Telefication B.V.
Dimensions (H x W x D):	55 x 55 x 40 mm

**Conformity**

Gira Giersiepen GmbH & Co. KG hereby declares that the wireless system type item no. 5207 16 conforms to Directive 2014/53/EU. The complete item number can be found on the device. The complete text of the EU Declaration of Conformity can be found either in the download area (gira.de/Konformitaet), or directly via the online catalogue at the product (katalog.gira.de).

## Disposal

---



The Gira wireless motion detector is an electric/electronic device in the sense of EU Directive 2012/19/EU.

High-quality materials and components were used in developing and manufacturing the device. These materials and components can be reused and recycled. Please consult the regulations governing the separate collection of electric/electronic waste applicable for your country. These devices may not be disposed of with household waste. The correct disposal of waste can prevent possible negative consequences to the environment and humans.

## Warranty

---

The warranty is provided in accordance with statutory requirements via the retailer. Please submit or send faulty devices postage paid and with an error description to your sales representative (retailer / installation company / electrical contractor). The salesperson will forward the devices to the Gira Service Centre.

## Gira

---

Gira  
Giersiepen GmbH & Co KG  
Electrical installation  
systems

P.O. Box 1220  
42461 Radevormwald  
Phone: +49 2195 602 - 0  
Fax: +49 2195 602 - 191  
info@gira.de  
www.gira.de