

LED orientation light 230 V~ white
Order-No. : 2361 00**Operating instructions****1 Safety instructions**

Electrical equipment may only be installed and fitted by electrically skilled persons.

Failure to observe the instructions may cause damage to the device and result in fire and other hazards.

Danger of electric shock. Always disconnect device before working on it. At the same time, take into account all circuit breakers that supply dangerous voltage to the device.

The device is not suitable for use in safety systems or as an emergency light.

Fire hazard. Do not operate the LED luminaires on a dimmer. The LED luminaires cannot be dimmed.

The LED luminaires may not be operated on an electronic switching insert (e.g. Tronic or Triac insert). The switching inserts could be damaged.

These instructions are an integral part of the product, and must remain with the end customer.

2 Device components

(Figure 1)

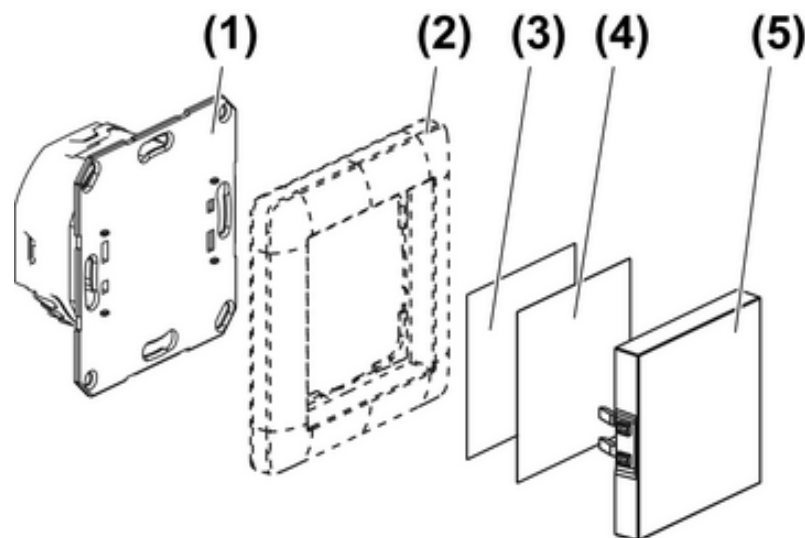


Figure 1

- (1) Concealed insert, luminaire
- (2) Frame, not included in the scope of delivery
- (3) Labelling film, optional
- (4) Light-scattering film
- (5) Lamp cover

3 Function**Intended use**

- Luminaire for orientation or signalling
- Switchable using external installation switches
- Installation in appliance box to DIN 49073

Product characteristics

- Usable in switch combinations or individually
 - Simplifies finding switches or orientation in dark rooms
 - Individually labelled film insertable
 - Brightness adjustable using internal potentiometer
- i** Due to manufacturing tolerances during LED manufacture, noticeable differences in brightness and colour are possible.

4 Operation

Switching LED orientation luminaire

The luminaire is switched on or off using an installation switch or switching contact.

- Actuate the installation switch.
Luminaire switches on or off.

5 Information for qualified electricians

5.1 Mounting and electrical connection



DANGER!

Electrical shock when live parts are touched.

Electrical shocks can be fatal.

Before working on the device, disconnect all the corresponding miniature circuit breakers. Cover up live parts in the working environment.

Connect and mount the LED orientation light

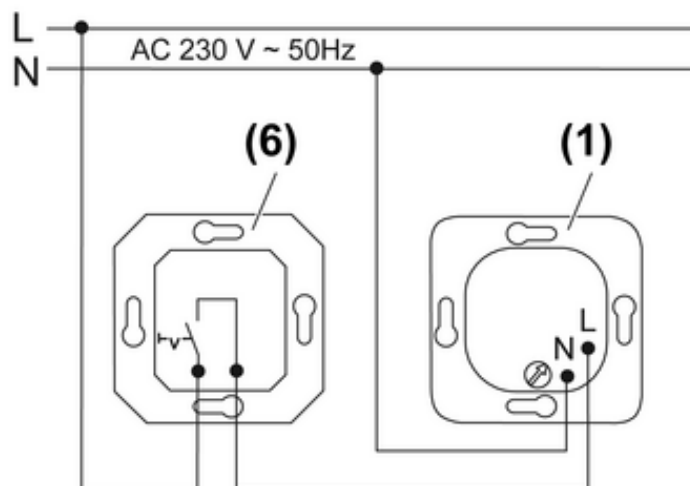


Figure 2: Connection example

(1) Concealed insert, luminaire

(6) Installation switch

- Connect the luminaire as shown in the connection example (Figure 2).
- Mount the concealed insert (1) in the appliance box . The terminals must be at the bottom.
- Complete the luminaire (Figure 1).
- Switch on mains voltage.

5.2 Commissioning

Changing the brightness of the LED orientation light

When delivered, the luminaire (1) is at maximum brightness.

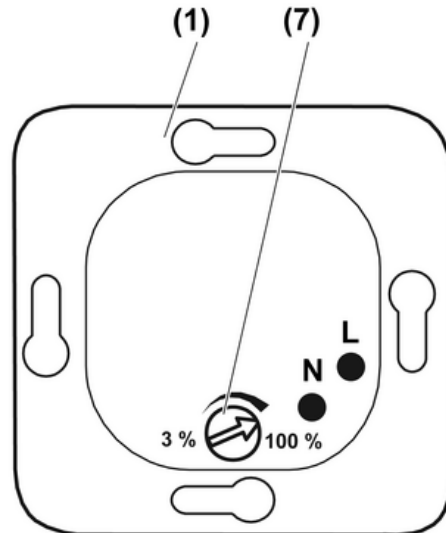


Figure 3



DANGER!

Electrical shock when live parts are touched.

Electrical shocks can be fatal.

Use only insulated tools when adjusting the brightness! Cover up live parts in the working environment.

- Switch off mains voltage.
- Remove lamp cover.
- Remove flush-mounted insert (1) from appliance box. When doing this, ensure insulation of the cables in accordance with regulations.
- Switch on mains voltage.
- Switch on luminaire using installation switch.
- Adjust brightness by turning the adjuster (7) (Figure 3).
- Switch off mains voltage.
- Mount the concealed insert (1) in the appliance box. The terminals must be at the bottom.
- Fit lamp cover again.
- Switch on mains voltage.

6 Appendix

6.1 Technical data

Rated voltage	AC 230 V ~
Mains frequency	50 Hz
Power consumption	approx. 8.5 VA
Power factor	0.2
Ambient temperature	-15 ... 40 °C
Brightness range	approx. 3 ... 100 %
Number of LEDs	4
Connection	
Single stranded	1.5 mm ²

6.2 Warranty

The warranty is provided in accordance with statutory requirements via the specialist trade.

Please submit or send faulty devices postage paid together with an error description to your responsible salesperson (specialist trade/installation company/electrical specialist trade). They will forward the devices to the Gira Service Center.

Gira
Giersiepen GmbH & Co. KG
Elektro-Installations-
Systeme

Industriegebiet Mermbach
Dahlienstraße
42477 Radevormwald

Postfach 12 20
42461 Radevormwald

Deutschland

Tel +49(0)21 95 - 602-0
Fax +49(0)21 95 - 602-399

www.gira.de
info@gira.de