

**Flush-mounted bus coupler**

Order-No. : 0570 00

**Operating instructions****1 Safety instructions**

Electrical equipment may only be installed and fitted by electrically skilled persons.

Failure to observe the instructions may cause damage to the device and result in fire and other hazards.

During renovation work, protect the device against soiling through paint, wallpaper paste, dust, etc. Device can be damaged.

During installation and cable routing, comply with the regulations and standards which apply for SELV circuits.

These instructions are an integral part of the product, and must remain with the end customer.

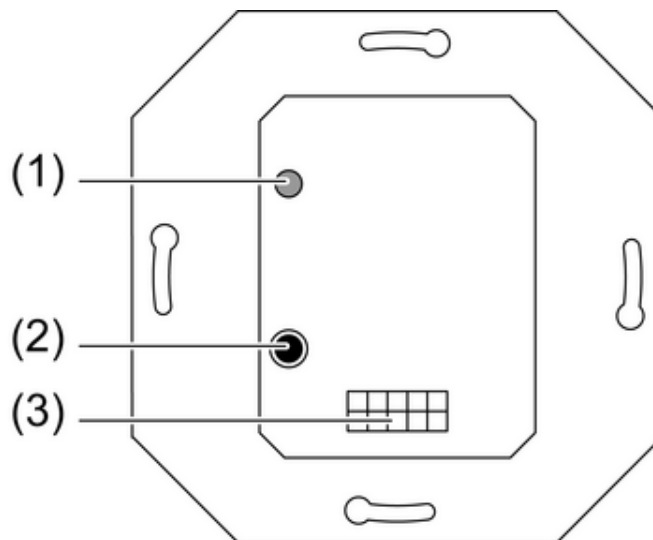
**2 Device components**

Figure 1: Bus coupling unit – front view

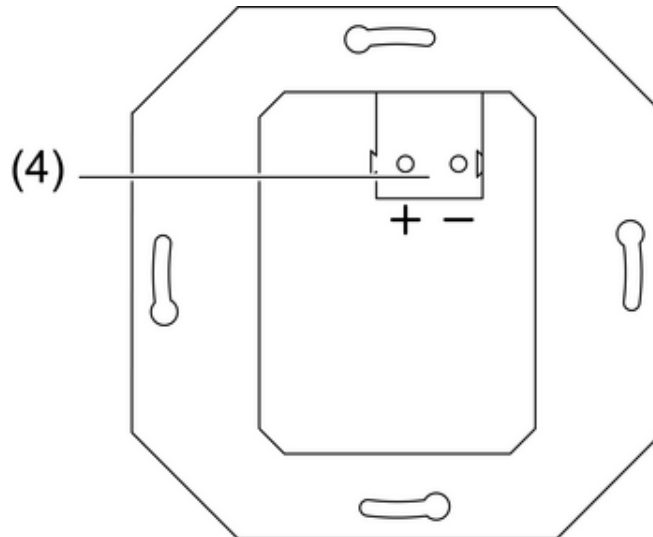


Figure 2: Bus coupling unit – rear view

- (1) Programming LED
- (2) Programming button
- (3) Application interface
- (4) Bus connection

### 3 Function

#### System information

This device is a product of the KNX system and complies with the KNX directives. Detailed technical knowledge obtained in KNX training courses is a prerequisite to proper understanding.

The function of this device depends upon the software. Detailed information on loadable software and attainable functionality as well as the software itself can be obtained from the manufacturer's product database. Planning, installation and commissioning of the device are carried out with the aid of KNX-certified software. The latest versions of product database and the technical descriptions are available on our website.

#### Intended purpose

- Coupling of flush-mounted application modules to KNX systems
- Installation in appliance box to DIN 49073

### 4 Information for electrically skilled persons

#### 4.1 Fitting and electrical connection



#### **DANGER!**

**Electrical shock on contact with live parts in the installation environment.**

**Electrical shocks can be fatal.**

**Before working on the device, disconnect the power supply and cover up live parts in the working environment.**

#### Mounting and connecting the device

Observe the installation orientation (Figure 1).

- Connect bus cable with connecting terminal (4). Red: +, black: –.
- Install the device in the appliance box.
- If no application module present: mount blank cover.

## 4.2 Commissioning

### Downloading the physical address and application software

The physical address is always assigned for only one device. Only one device may be in programming mode at any one time.

Application module is not plugged in. Programming button and LED are accessible.

- Press the programming button (2).  
The programming LED (1) lights up.
  - Assign physical address.  
The programming LED goes out.
  - Downloading the user software.
- i** Some application modules, e.g. push-button sensors, require that the application module is plugged in before downloading. For details, see the corresponding instructions.
- If present: plug in application module with frame. Do not damage the application interface.

## 5 Appendix

### 5.1 Technical data

KNX medium	TP 1
Commissioning mode	S-mode
Rated voltage KNX	DC 21 ... 32 V SELV
Power consumption KNX	max. 150 mW (with application module)
Application interface	
Power output	max. 100 mW
Ambient conditions	
Safety class	III
Ambient temperature	-5 ... +45 °C
Storage/transport temperature	-25 ... +70 °C

### 5.2 Warranty

The warranty is provided in accordance with statutory requirements via the specialist trade.

Please submit or send faulty devices postage paid together with an error description to your responsible salesperson (specialist trade/installation company/electrical specialist trade). They will forward the devices to the Gira Service Center.

**Gira**  
**Giersiepen GmbH & Co. KG**  
 Elektro-Installations-  
 Systeme

Industriegebiet Mermbach  
 Dahlienstraße  
 42477 Radevormwald

Postfach 12 20  
 42461 Radevormwald

Deutschland

Tel +49(0)21 95 - 602-0  
 Fax +49(0)21 95 - 602-399

www.gira.de  
 info@gira.de