

## Tronic Transformers

Order no.: 0371 00

Order no.: 0493 54

Order no.: 0378 00

## Function

Use for 12 V halogen lamps. To be dimmed via Gira TRONIC dimmer (phase cut-off-dimmer), Gira LV dimmer (phase cut-dimmer) or Gira Universal dimmer.



**Never use dimmers from other manufacturers. Using dimmers from other manufacturers may involve risk of fire.**



### Safety instructions

**Attention: Electrical equipment must be installed and fitted by qualified electricians only.**

**To prevent electric shocks, always shut off the mains supply (by cutting out the circuit-breaker) before working on the device or before replacing the lamp.**

**Non-observance of the safety and the fitting instructions may result in damage to the device and cause fire or other hazards.**

## Protection for overload and overtemperature

Automatic reduction of power respectively switching-off at further warming up. Automatic restarting after cooling down.

## Short-circuit protection

Cut-off with automatic restarting after repair of the short-circuit.

## Instruction for installation

TRONIC transformers are protected against transient overvoltages (mains voltage peaks) in acc. with EN 61547. For the protection against higher overvoltages (caused by switching fluorescent lamps, discharge lamps, motors and by other inductive loads), install a separate load circuit for TRONIC transformer power units. Otherwise, defects of the transformer may be caused by spikes when the circuit is switched.

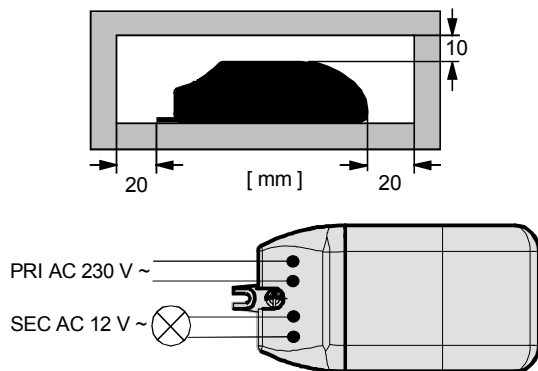
If there is a hazard of mains peaks, use an additional TRONIC overvoltage protection unit at the primary end in parallel with the TRONIC transformer power units.

### Instructions:

Please consider performance of transformer. Underload may lead to flickering.

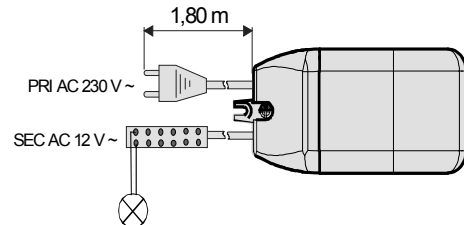
When the transformer is connected to an LV dimmer (phase cut-on type), the transformer must be loaded with a minimum of 50 W.

Install and connect as shown in the illustration. Keep double the distance from transformer to transformer. Avoid heat sources (e. g. lamps) in the vicinity of transformers. In critical cases, measure the temperature at the Tc point.



### Transformer with pre-equipped AMP connector

The output contacts of the connector may be loaded with 35 W maximum. The maximum transformer rating (105 W) must not be exceeded.



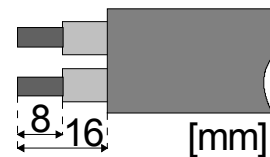
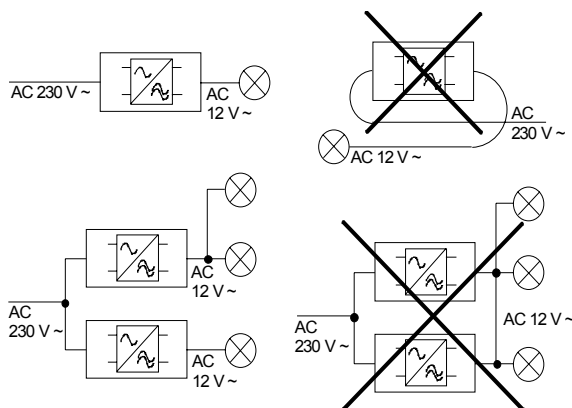
### Secondary circuit maximum length 2 m (to keep interference suppression).

Do not connect the secondary circuit with other TRONIC transformers and do not lay it in the vicinity of the mains supply line.

### Transformer without cable

For the stripping lengths for the outer cable covering, refer to the illustration.

Recommended cross-section of circuits: 2 x 1,5 mm<sup>2</sup>.



### Cable pull-relief

Recommended type of line: H 05 VV-F 2 x 1,5 mm<sup>2</sup>

Use lines of the same type only.

## Technical Data

Design:	105 x 50 x 29 mm
Rated load:	20 ... 105 W*
Rated voltage:	AC 230 / 240 V
Mains free frequency:	50 / 60 Hz
Output voltage:	11,8 V eff; ~ 40 kHz
Mains current:	0,45 A (105 W)
Maximum ambient temp.:	45 °C
Maximum housing temperature:	80 °C
Max. length of secondary line:	2

### \* observe the instructions



The symbols used to identify dimmer loads designate the type of the electrical behaviour of loads connected to dimmers: L = inductive, C = capacitive

## Acceptance of guarantee

We accept the guarantee in accordance with the corresponding legal provisions.

**Please return the unit postage paid to our central service department giving a brief description of the fault:**

Gira  
Giersiepen GmbH & Co. KG  
**Service Center**  
Dahlienstrasse 12  
D-42477 Radevormwald

---

Gira  
Giersiepen GmbH & Co. KG  
Postfach 1220  
D-42461 Radevormwald

Telefon: +49 / 21 95 / 602 - 0  
Telefax: +49 / 21 95 / 602 - 339  
Internet: [www.gira.de](http://www.gira.de)